
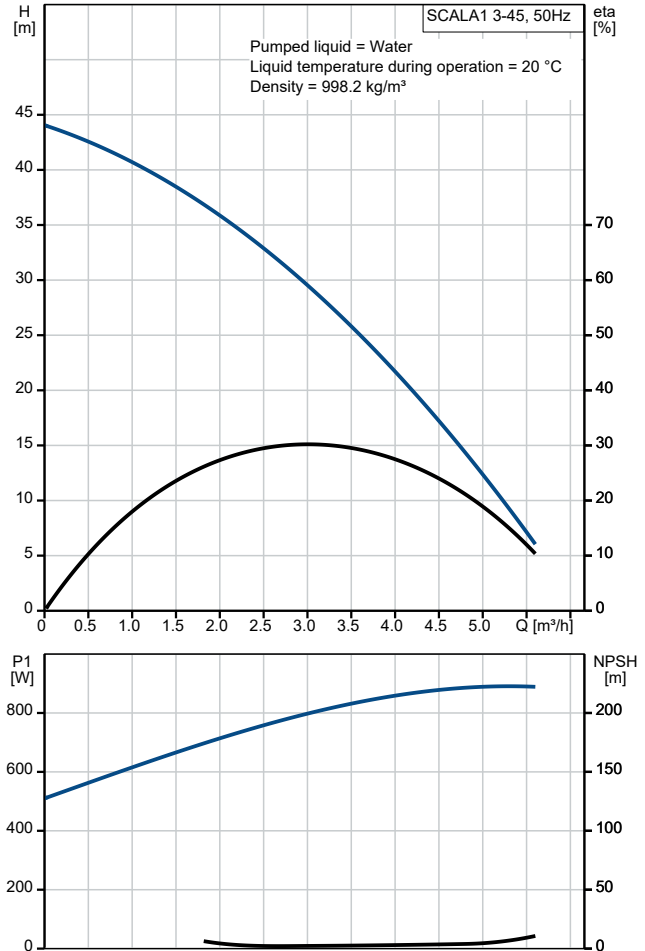
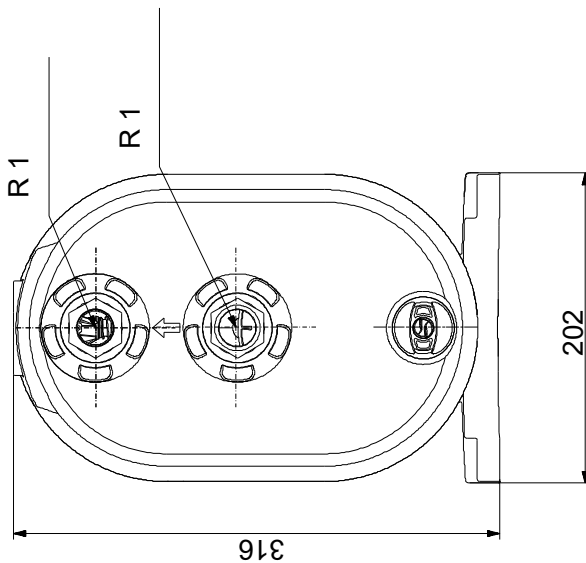
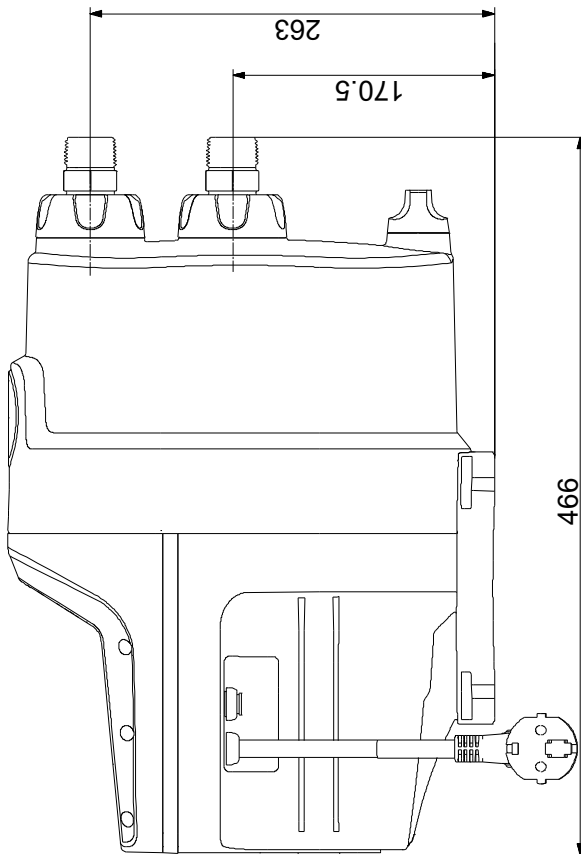


Qty.	Description
1	<p>SCALA1 3-45</p>  <p>Product No.: 99530405</p> <p>The Grundfos SCALA1 is a self-priming, multistage pump, that incorporates all the components of a pressure booster into a compact composite enclosure.</p> <p>As it is self-priming, the SCALA1 can pump water from a level below the pump. Provided it is filled with water, the pump can lift water from a depth of 8 m in less than 5 minutes. This facilitates easy installation and start-up of the pump and provides more reliable water supply in installations where there is a risk of dry running and leakages in suction hose or pipes.</p> <p>SCALA1 can communicate with Grundfos GO app via built in Bluetooth, which enables detailed pump monitoring and high customization options, making this pump a good fit for every application.</p> <p>SCALA1 incorporates advanced protection features such as:</p> <ul style="list-style-type: none">- Dry running protection that will automatically stop the pump in case of water shortage- Cycling protection which will prevent pump starting frequently in case of minor leakages in installation- Max runtime protection can stop the pump after a desired period of continuous operation, preventing potential damage due flooding in case of pipe breakages. <p>The pump has a built-in motor protection that will stop the pump if exposed to excessive temperature due to high ambient temperature, in case of seizure or overload, thus preventing a motor burnout.</p> <p>With Grundfos GO you can easily setup SCALA1 as a Twin booster system, operating as duty/stand by as well as duty/assist. It is also possible to add external input control and schedule a pump operation via calendar function.</p> <p>SCALA1 require no maintenance, but it is recommended to keep the pump clean, check the non-return valves and keep the ventilation holes free of dust.</p>

Description	Value
General information:	
Product name:	SCALA1 3-45
Product No:	99530405
EAN number:	5713830591598
Price:	
Technical:	
Rated flow:	3.59 m ³ /h
Rated head:	25 m
Maximum head:	44 m
Shaft seal type:	BVBP
Approvals and markings:	CE,EAC,AAA
Approvals for drinking water:	WRAS,ACS
Curve tolerance:	ISO9906:2012 3B
The first model is called A which is followed by model B, C etc.:	A
Start pressure:	2.2 bar
Materials:	
Pump housing:	Composite
Impeller:	Composite
Installation:	
Range of ambient temperature:	0 .. 55 °C
Maximum operating pressure:	8 bar
Maximum permissible inlet pressure:	3 bar
Type of inlet connection:	R
Type of outlet connection:	R
Size of inlet connection:	1 inch
Size of outlet connection:	1 inch
Pressure rating for connection:	PN 8
Liquid:	
Pumped liquid:	Water
Liquid temperature range:	0 .. 45 °C
Selected liquid temperature:	20 °C
Density:	998.2 kg/m ³
Electrical data:	
P1 max.:	910 W
Rated power - P2:	0.58 kW
Mains frequency:	50 Hz
Rated voltage:	1 x 230 V
Maximum current consumption:	4.1 A
Enclosure class (IEC 34-5):	X4D
Insulation class (IEC 85):	F
Length of power cable:	1.5 m
Power plug:	Type E/F (CEE7/7)
Power plug:	Schuko plug
Others:	
Net weight:	12 kg
Gross weight:	14 kg
Shipping volume:	0.046 m ³
Storage temperature range:	-40 .. 70 °C
Danish VVS No.:	385183045
Swedish RSK No.:	5854000
Finnish LVI No.:	4732545
Norwegian NRF no.:	9045229



99530405 SCALA1 3-45 50 Hz



Note! All units are in [mm] unless others are stated.
Disclaimer: This simplified dimensional drawing does not show all details.