

Qty.	Description																																
1	<p data-bbox="204 450 384 479">JP 4-54 S-BBVP</p> <div data-bbox="204 510 587 797">  </div> <p data-bbox="595 797 1062 824" style="text-align: center;">Note! Product picture may differ from actual product</p> <p data-bbox="204 831 464 857">Product No.: 99458768</p> <p data-bbox="204 920 1445 992">Grundfos JP 4-54 S-BBVP is a self-priming single-stage centrifugal jet pump with axial inlet and radial outlet for easy adaption to local piping system. The JP pump is ideal for transferring water from wells or ground tanks in a large variety of installations and it has excellent suction capacity.</p> <p data-bbox="204 1032 1362 1261">The JP pump is designed for a long and trouble-free operation. The overall design is robust with excellent corrosion resistance ensured by the stainless steel pump housing, composite impeller and paint application by electrophoresis. JP is small and compact with a lifting handle that makes the pump handy and easy to carry. The compact pump features a built in ejector with guide vanes. This ensures optimum self-priming properties, featuring a suction-lift up to 8 meters. The self-priming pump also ensures a stable operation as it is able to lift liquid from below the inlet level and can handle a mix of air and liquid until the pump reaches a fully-primed pumping condition.</p> <p data-bbox="204 1328 1422 1400">The JP pump has built-in thermal protection, which immediately stops the pump if it overheats. The motor is air cooled and equipped with oversized, sealed, greased-for-life ball bearings to ensure silent operation and minimum service.</p> <table data-bbox="204 1473 695 1619"> <tr> <td>Liquid:</td> <td></td> </tr> <tr> <td>Pumped liquid:</td> <td>Water</td> </tr> <tr> <td>Liquid temperature range:</td> <td>0 .. 40 °C</td> </tr> <tr> <td>Selected liquid temperature:</td> <td>20 °C</td> </tr> <tr> <td>Density:</td> <td>998.2 kg/m³</td> </tr> </table> <table data-bbox="204 1653 759 1827"> <tr> <td>Technical:</td> <td></td> </tr> <tr> <td>Rated flow:</td> <td>4 m³/h</td> </tr> <tr> <td>Primary shaft seal:</td> <td>BBVP</td> </tr> <tr> <td>Approvals:</td> <td>CE,EAC</td> </tr> <tr> <td>Curve tolerance:</td> <td>ISO9906:2012 3B</td> </tr> <tr> <td>Rated speed:</td> <td>2800 rpm</td> </tr> </table> <table data-bbox="204 1861 724 2007"> <tr> <td>Materials:</td> <td></td> </tr> <tr> <td>Pump housing:</td> <td>Stainless steel EN 1.4301 AISI 304</td> </tr> <tr> <td>Impeller:</td> <td>Composite</td> </tr> </table> <table data-bbox="204 2040 668 2096"> <tr> <td>Installation:</td> <td></td> </tr> <tr> <td>Range of ambient temperature:</td> <td>0 .. 40 °C</td> </tr> </table>	Liquid:		Pumped liquid:	Water	Liquid temperature range:	0 .. 40 °C	Selected liquid temperature:	20 °C	Density:	998.2 kg/m ³	Technical:		Rated flow:	4 m ³ /h	Primary shaft seal:	BBVP	Approvals:	CE,EAC	Curve tolerance:	ISO9906:2012 3B	Rated speed:	2800 rpm	Materials:		Pump housing:	Stainless steel EN 1.4301 AISI 304	Impeller:	Composite	Installation:		Range of ambient temperature:	0 .. 40 °C
Liquid:																																	
Pumped liquid:	Water																																
Liquid temperature range:	0 .. 40 °C																																
Selected liquid temperature:	20 °C																																
Density:	998.2 kg/m ³																																
Technical:																																	
Rated flow:	4 m ³ /h																																
Primary shaft seal:	BBVP																																
Approvals:	CE,EAC																																
Curve tolerance:	ISO9906:2012 3B																																
Rated speed:	2800 rpm																																
Materials:																																	
Pump housing:	Stainless steel EN 1.4301 AISI 304																																
Impeller:	Composite																																
Installation:																																	
Range of ambient temperature:	0 .. 40 °C																																



Company name:

Created by:

Phone:

Date: 26/12/2022

Project:

Client: Matjar Misr

Reference Number:

Client Number: Gr5898874556

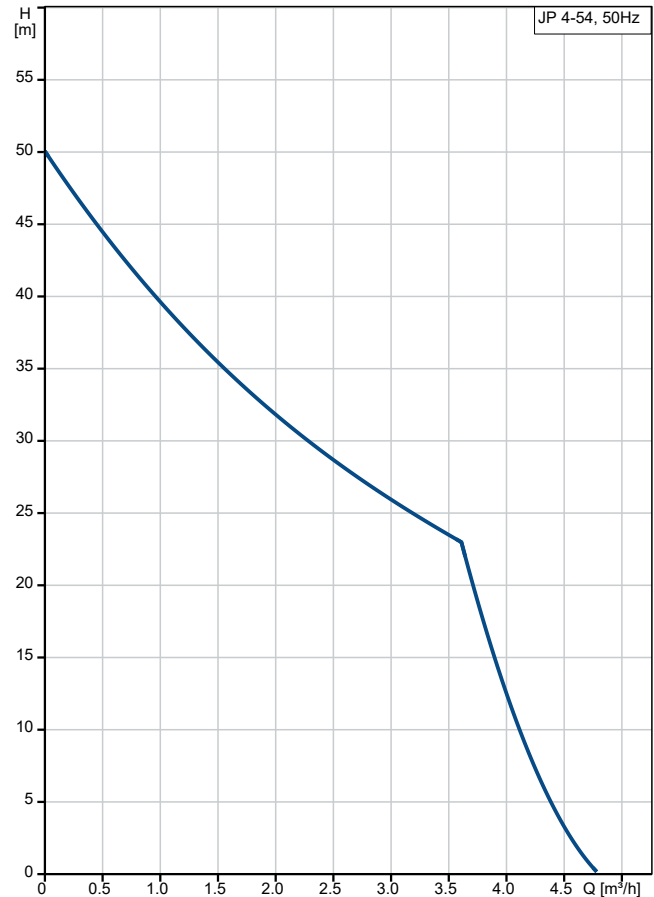
Contact:

Qty.	Description
1	<p>Maximum operating pressure: 6 bar Maximum permissible inlet pressure: 1 bar Pump inlet: G1 Pump outlet: G1</p> <p>Electrical data: Power input - P1: 1130 W Rated power - P2: 0.746 kW Mains frequency: 50 Hz Rated voltage: 1 x 230 V Rated current: 5.1 A Starting current: 17.8 A Rated speed: 2800 rpm Capacitor size - run: 16 µF/450 V Enclosure class (IEC 34-5): IP44 Insulation class (IEC 85): F Type of cable plug: SCHUKO</p> <p>Others: Net weight: 11 kg Gross weight: 13 kg Shipping volume: 0.026 m³ Finnish LVI No.: 4732537 Country of origin: HU Custom tariff no.: 84137090</p>

Project:
Reference Number:

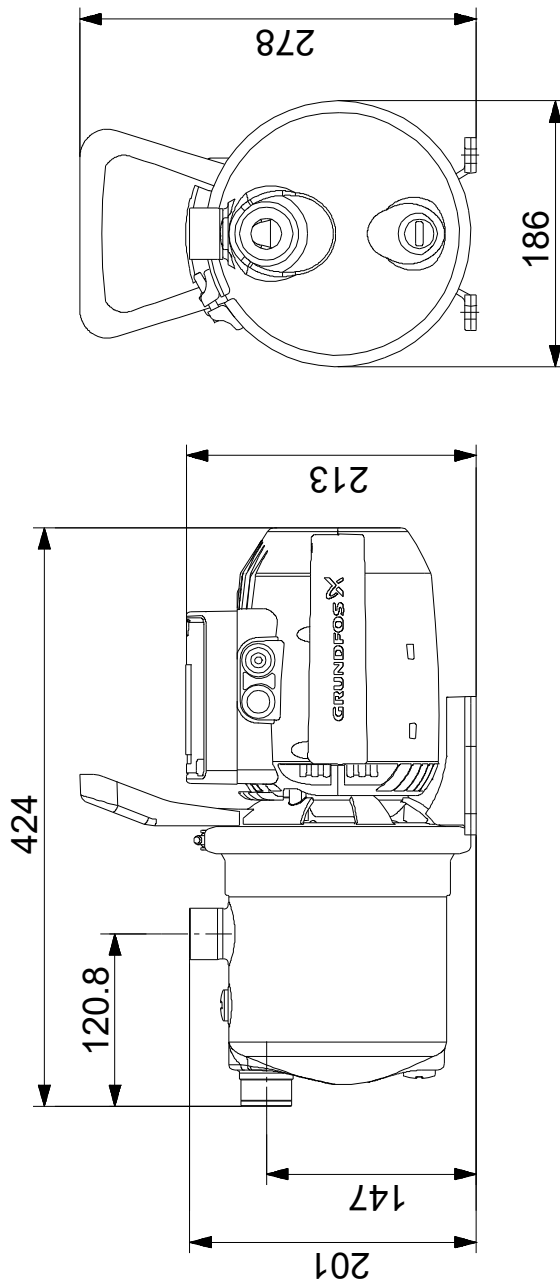
Client: Matjar Misr
Client Number: Gr5898874556
Contact:

Description	Value
General information:	
Product name:	JP 4-54 S-BBVP
Product No:	99458768
EAN number:	5713829460102
Technical:	
Rated flow:	4 m ³ /h
Head max:	50 m
Primary shaft seal:	BBVP
Approvals:	CE,EAC
Curve tolerance:	ISO9906:2012 3B
Model:	A
Rated speed:	2800 rpm
Materials:	
Pump housing:	Stainless steel
Pump housing:	EN 1.4301
Pump housing:	AISI 304
Impeller:	Composite
Material code:	S
Installation:	
Range of ambient temperature:	0 .. 40 °C
Maximum operating pressure:	6 bar
Maximum permissible inlet pressure:	1 bar
Pump inlet:	G1
Pump outlet:	G1
Liquid:	
Pumped liquid:	Water
Liquid temperature range:	0 .. 40 °C
Selected liquid temperature:	20 °C
Density:	998.2 kg/m ³
Electrical data:	
Power input - P1:	1130 W
Rated power - P2:	0.746 kW
Mains frequency:	50 Hz
Rated voltage:	1 x 230 V
Rated current:	5.1 A
Starting current:	17.8 A
Rated speed:	2800 rpm
Capacitor size - run:	16 µF/450 V
Enclosure class (IEC 34-5):	IP44
Insulation class (IEC 85):	F
Type of cable plug:	SCHUKO
Cable:	Y
Controls:	
Presscontrol:	without press control
Switch:	on/off switch not included
Others:	
Net weight:	11 kg
Gross weight:	13 kg
Shipping volume:	0.026 m ³
Finnish LVI No.:	4732537
Country of origin:	HU
Custom tariff no.:	84137090



Pumped liquid = Water
Liquid temperature during operation = 20 °C
Density = 998.2 kg/m³

99458768 JP 4-54 S-BBVP 50 Hz



Note! All units are in [mm] unless others are stated.
Disclaimer: This simplified dimensional drawing does not show all details.