

**Qty. Description**

1 JPA 12-51 A-A-CVBP



**Note! Product picture may differ from actual product**

Product No.: On request

JPA is a self-priming, single-stage centrifugal pump with a body made of cast iron. It has an axial suction port and radial discharge port. The pump has a built-in ejector with guide vanes for optimum self-priming properties.

## Liquid:

Pumped liquid: Water  
Liquid temperature range: 0 .. 35 °C  
Selected liquid temperature: 20 °C  
Density: 998.2 kg/m<sup>3</sup>

## Technical:

Primary shaft seal: CVBP  
Approvals on nameplate: CE  
Curve tolerance: ISO9906:2012 3B

## Materials:

Pump housing: Cast iron  
EN 1561 EN-GJL-200  
Impeller: Composite

## Installation:

Range of ambient temperature: -10 .. 40 °C  
Maximum operating pressure: 8 bar  
Maximum permissible inlet pressure: 3 bar  
Pump inlet: G 1,5  
Pump outlet: G 1,25

## Electrical data:

Power input - P1: 2700 W  
Mains frequency: 50 Hz  
Rated voltage: 1 x 220-240 V  
Rated current: 12 A  
Capacitor size - run: 40 µF/450 V  
Enclosure class (IEC 34-5): IP44  
Insulation class (IEC 85): F  
Type of cable plug: NONE

## Others:

Net weight: 29 kg  
Gross weight: 30 kg  
Shipping volume: 0.064 m<sup>3</sup>



Company name:

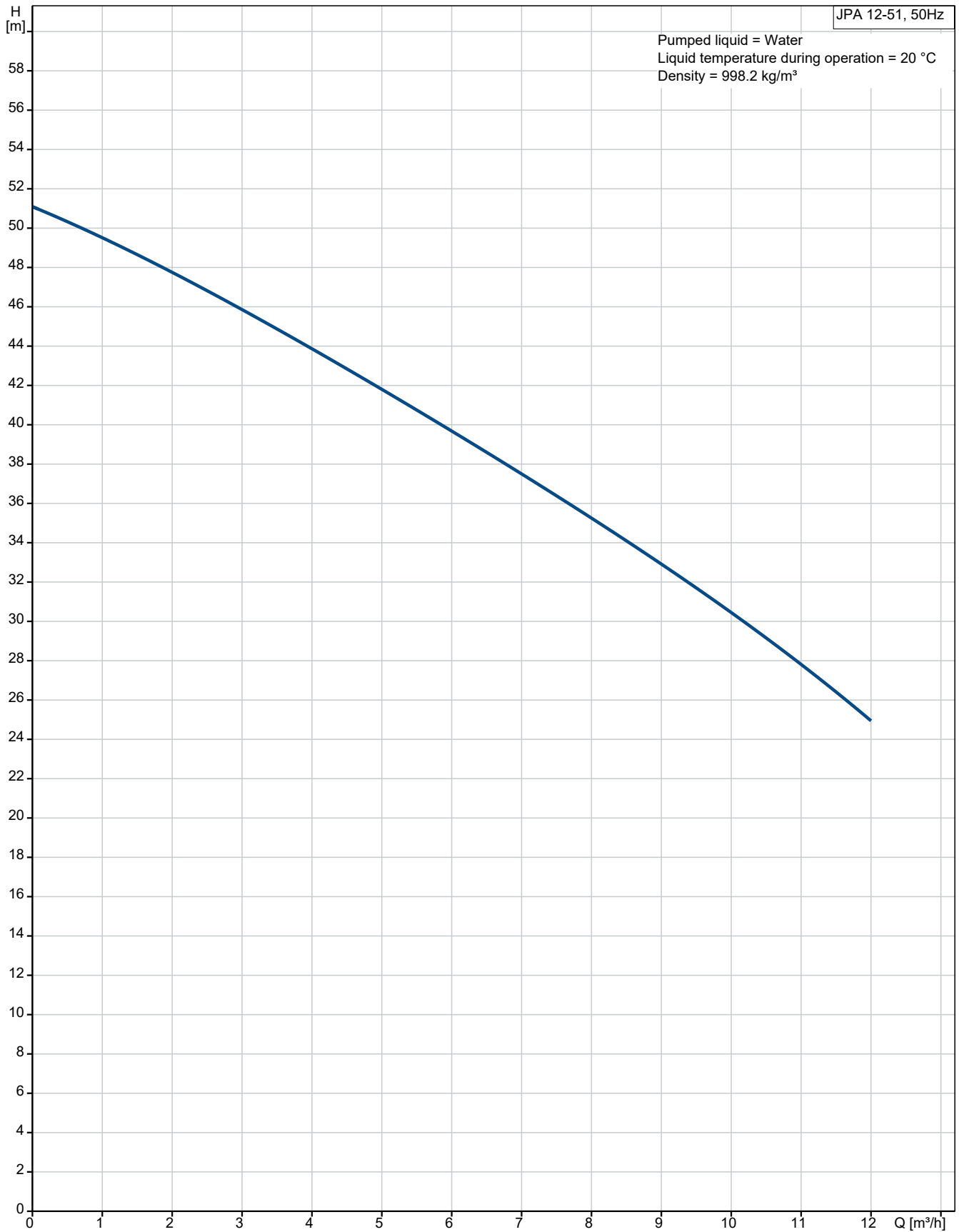
Created by:

Phone:

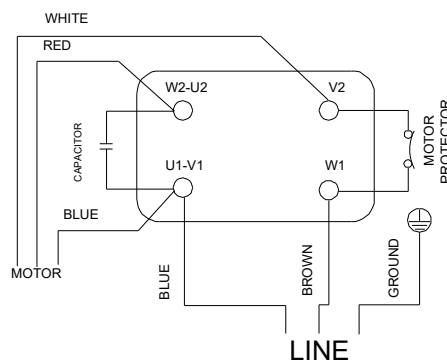
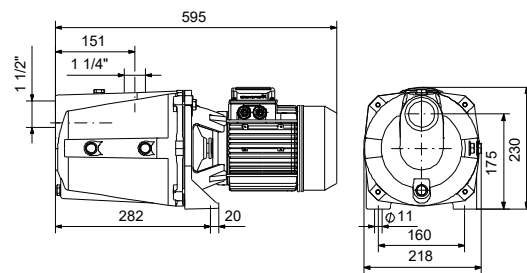
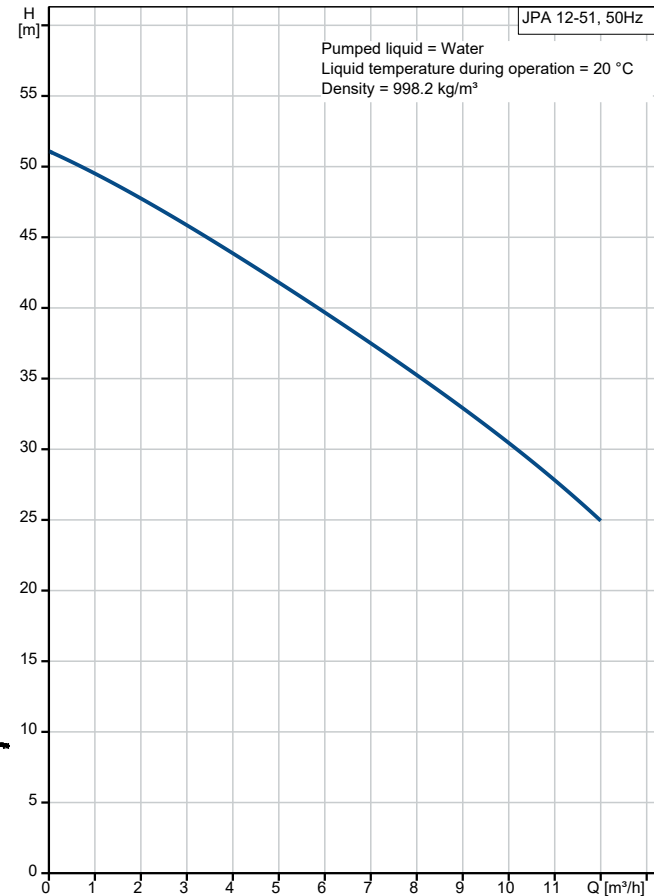
Date:

09/11/2022

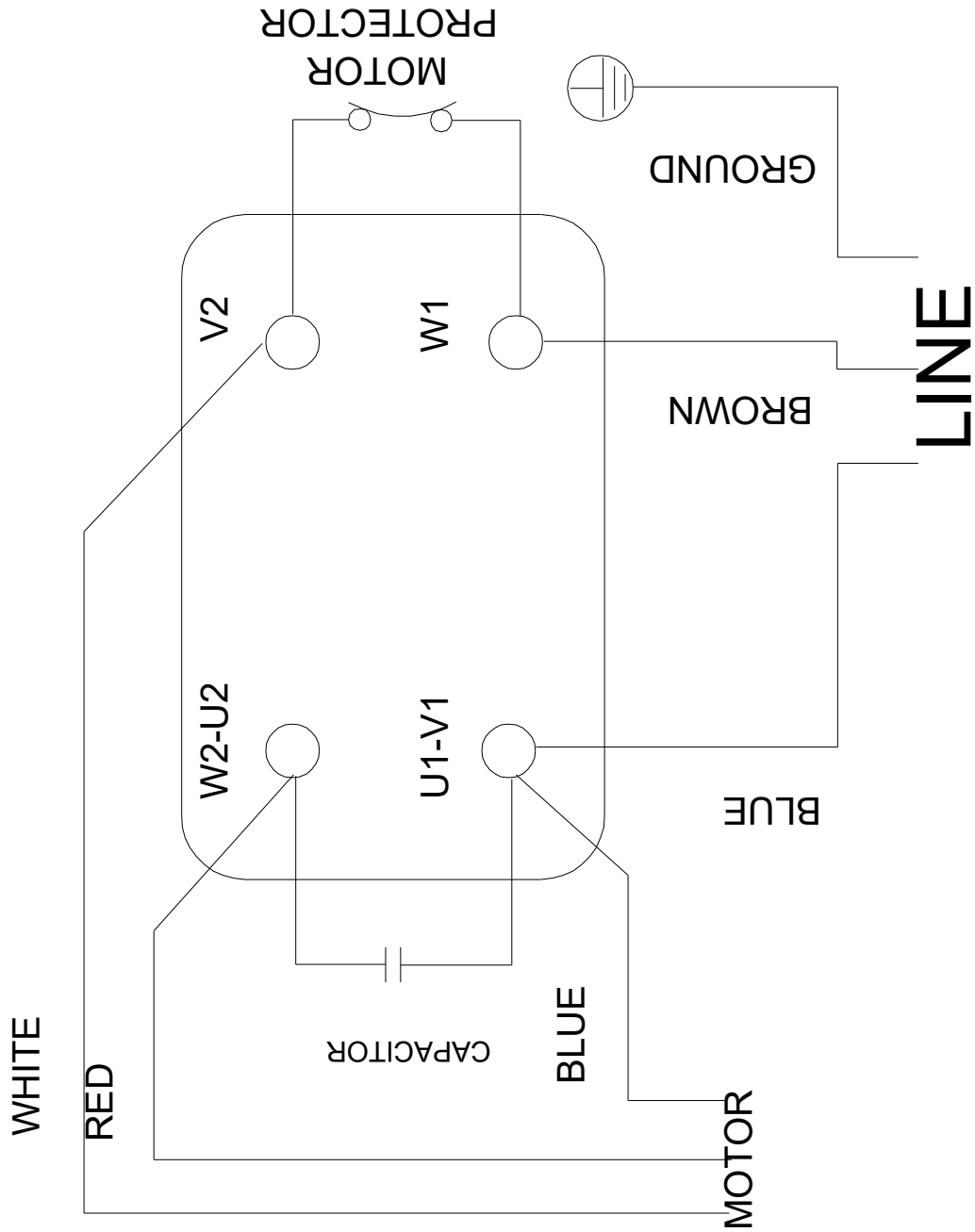
## On request JPA 12-51 A-A-CVBP 50 Hz



Description	Value
<b>General information:</b>	
Product name:	JPA 12-51 A-A-CVBP
Product No:	On request
EAN number:	On request
<b>Technical:</b>	
Head max:	51 m
Primary shaft seal:	CVBP
Approvals on nameplate:	CE
Curve tolerance:	ISO9906:2012 3B
Pump version:	A
The first model is called A which is followed by model B, C etc.:	A
Ejector valve:	no
<b>Materials:</b>	
Pump housing:	Cast iron
Pump housing:	EN 1561 EN-GJL-200
Impeller:	Composite
Material code:	A
<b>Installation:</b>	
Range of ambient temperature:	-10 .. 40 °C
Maximum operating pressure:	8 bar
Maximum permissible inlet pressure:	3 bar
Pump inlet:	G 1,5
Pump outlet:	G 1,25
<b>Liquid:</b>	
Pumped liquid:	Water
Liquid temperature range:	0 .. 35 °C
Selected liquid temperature:	20 °C
Density:	998.2 kg/m <sup>3</sup>
<b>Electrical data:</b>	
Power input - P1:	2700 W
Mains frequency:	50 Hz
Rated voltage:	1 x 220-240 V
Rated current:	12 A
Capacitor size - run:	40 µF/450 V
Enclosure class (IEC 34-5):	IP44
Insulation class (IEC 85):	F
Type of cable plug:	NONE
Y = pump with cable:	N
<b>Controls:</b>	
Presscontrol:	without press control
Y = pump with on/off-switch:	on/off switch not included
<b>Others:</b>	
Net weight:	29 kg
Gross weight:	30 kg
Shipping volume:	0.064 m <sup>3</sup>



## On request JPA 12-51 A-A-CVBP 50 Hz



Note! All units are in [mm] unless others are stated.